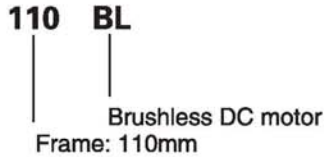


Brushless DC Motor

110BL SERIES

● INDICATIONS OF THE MODELS



● GENERAL SPECIFICATIONS

Winding type	Star
Hall effect angle	120 degree electrical angle
Shaft run out	0.05mm
Radial play	0.02mm@450g
End play	0.08mm@400g
Max. radial force	220N@20mm from the flange
Max. axial force	60N
Insulation class	Class F
Dielectric strength	500VAC for one minute
Insulation resistance	100MΩ, 500VDC

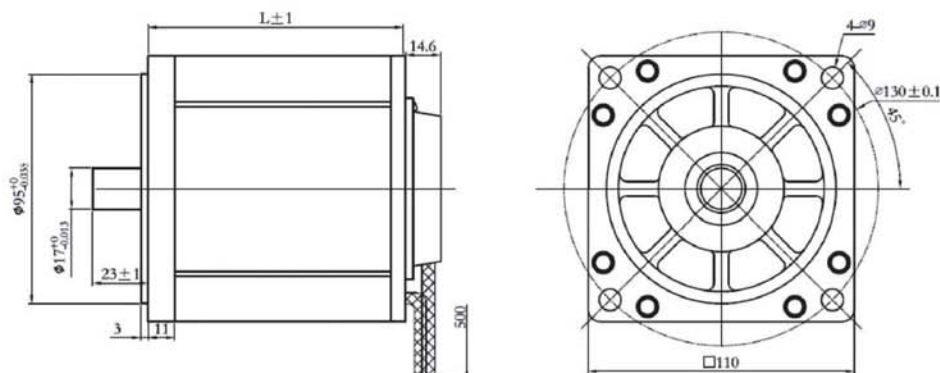
● ELECTRIC CONNECTION

Lead No.	Lead Color	Lead Gauge	FUNCTION	DESCRIPTION
1	Red	UL1332 AWG26	Vcc	Power supply positive of Hall+5VDC--+24VDC
2	Blue		Hall A	
3	Green		Hall B	
4	White	UL1332 AWG14	Hall C	
5	Black		GND	Power supply negative of Hall
6	Yellow		U	
7	Red	UL1332 AWG14	V	
8	Black		W	

● ELECTRICAL SPECIFICATIONS

	Unit	110BL51	110BL68
Number of poles			8
Number of phase			3
Rated voltage	VDC		60
Rated speed	RPM		3000
Rated torque	N.m	3	4.5
Rated power	W	942	1413
Peak torque	N.m	9	13.5
Peak current	A	68	110
Line to line resistance	ohms@20°C	0.069	0.046
Line to line inductance	mH	0.42	0.283
Torque constant	Nm/A	0.134	0.123
Back E.M.F	Vrms/Krpm	9.9	9.12
Rotor inertia	g.cm ²	4350	5800
Body length(L)	mm	102	119
Weight	Kg	4.65	6.5

● DIMENSIONS



*Product developing, only available for samples.