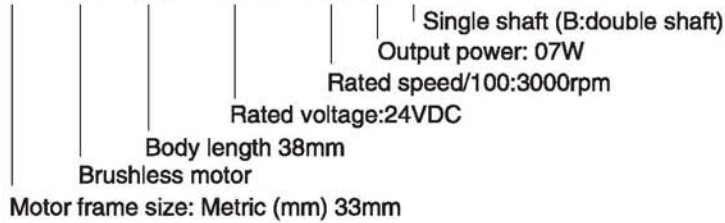


Brushless DC Motor

33BL SERIES

● INDICATIONS OF THE MODELS

33 BL 38 – 24V – 30 07 A



● GENERAL SPECIFICATIONS

Winding type	Star
Hall effect angle	120 degree electrical angle
Shaft run out	0.025mm
Radial play	0.02mm@450g
End play	0.08mm@450g
Max. radial force	10N @ 10mm from the flange
Max. axial force	2N
Insulation class	Class B
Dielectric strength	500VAC @ 1min.
Insulation resistance	100MΩ Min., 500VDC

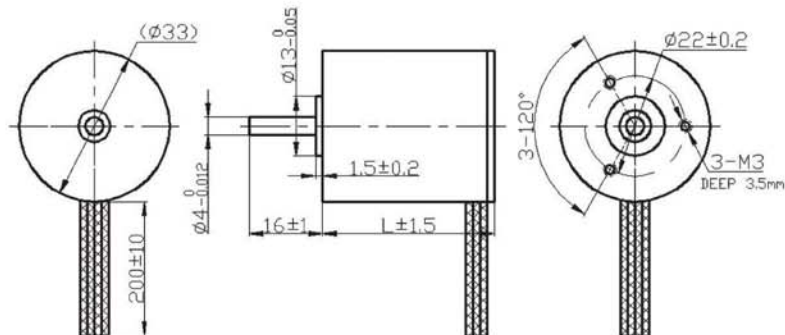
● ELECTRIC CONNECTION

Lead No.	Lead Color	Lead Gauge	FUNCTION	DESCRIPTION
1	Yellow	UL1007 26AWG	Vcc	Power supply positive of Hall: +5VDC--+24VDC
2	Blue		Hall A	
3	Orange		Hall B	
4	Brown		Hall C	
5	White		GND	Power supply negative of Hall
6	Green		Phase U	
7	Red		Phase V	
8	Black		Phase W	

● ELECTRICAL SPECIFICATIONS

Model		33BL38-24V-3007A	33BL80-xxV-xxxxA	
Number of poles		4	4	
Number of phase		3	3	
Rated voltage	VDC	24	48	24
Rated speed	RPM	3000	10000	7800
Continuous stall torque	mN.m	26	48	60
Rated torque	mN.m	22	40	50
Rated power	W	7	40	40
Peak torque	mN.m	66	120	120
Peak current	A	1.7	3.2	4.8
Resistance	Ohms	14.2	2.3	0.86
Inductance	mH	7	1.45	0.55
Torque constant	mNm/A	46.3	41.8	27
Rotor inertia	g.cm ²	7.95	23.55	23.55
Back EMF	Vrms/Krpm	3.43	3.1	2.0
Body length	mm	38	80	80
Mass	Kg	0.085	0.2	0.2

● DIMENSIONS



*This motor can be designed & manufactured with customized request.