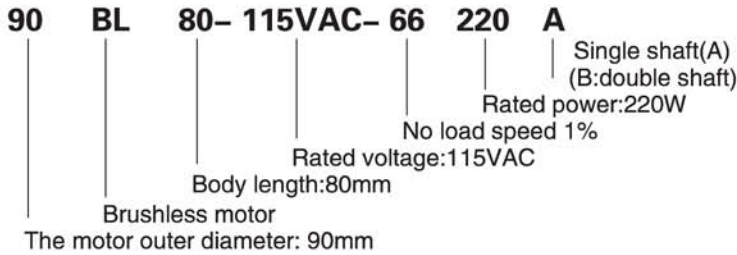


# Brushless DC Motor

## 90BL80 SERIES

### ● INDICATIONS OF THE MODELS



### ● GENERAL SPECIFICATIONS

Winding type	Star
Electrical degree	120e
Radial play	0.02mm@450g
End play	0.08mm@450g
Max. radial force	220N
Max. axial force	60N
Insulation class	Class B
Dielectric strength	1000VAC for one minute
Insulation resistance	100MΩ Min., 500VDC

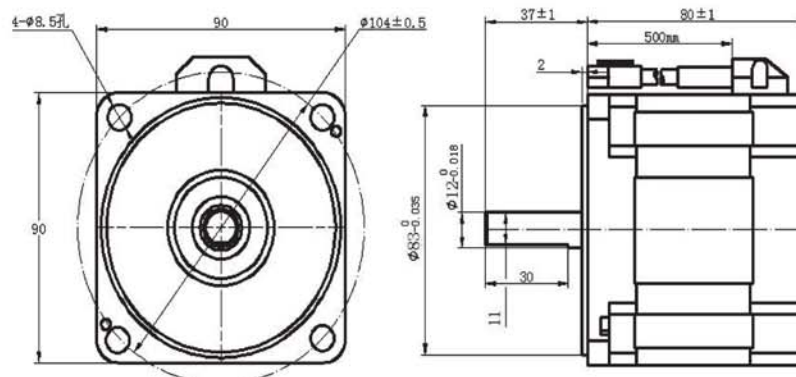
### ● ELECTRIC CONNECTION

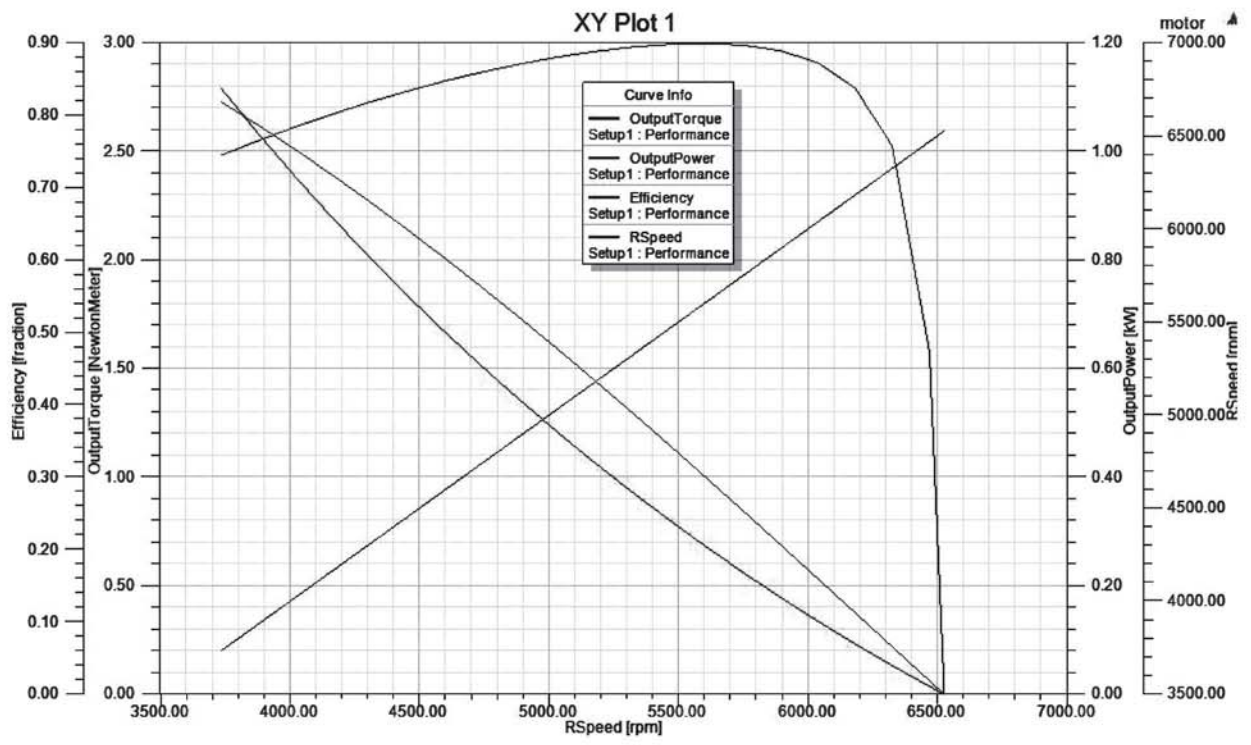
Lead No.	Lead Color	Lead Gauge	Function	Description
1	Yellow	18# cable	Motor U	
2	Red		Motor V	
3	Black		Motor W	
4	Black	22# cable	GND	Power supply of negative of Hall
5	Blue		HALLA	
6	Green		HALLB	
7	White		HALLC	
8	Red		Vcc	Power supply positive of Hall:+5VDC→+24VDC

### ● ELECTRICAL SPECIFICATIONS

Model	Unit	Tolerance	90BL80-115VAC-66220A
Number of poles			4
Number of phase			3
Rated voltage	VAC		115
Noload speed	RPM	± 10%	6600
No load current	A	<0.5A	0.63
Rated speed	RPM	± 10%	5300
Rated torque	N.m		0.4
Rated power	W		220
Peak torque	N.m		1.2
Peak current	Aac	± 10%	8.5
Line to line resistance	ohms@25°C	± 10%	1.8
Line to line inductance	mH	± 20%	0.4
Torque constant	mNm/A	± 10%	225
Back E.M.F constant	Vrms/KRPM	± 10%	16.6
Rotor inertia	g.cm <sup>2</sup>		285
Weight	g		2200

### ● DIMENSIONS





\*This motor can be designed & manufactured with customized request.