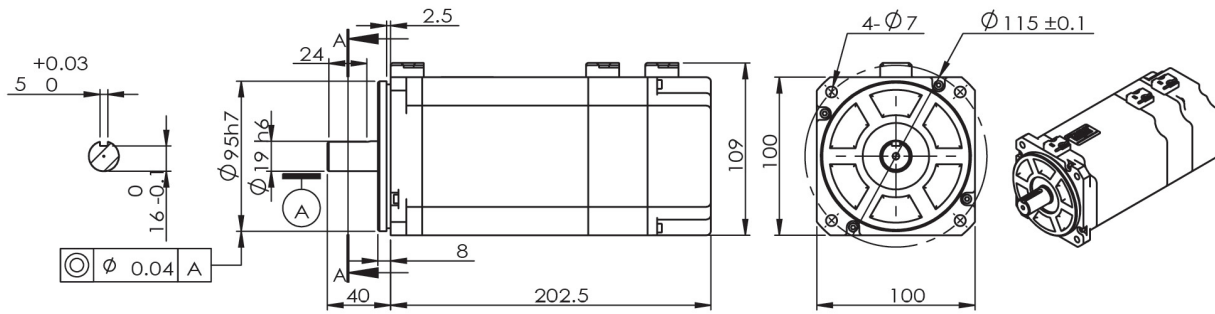


SA100B | Servo | Brake

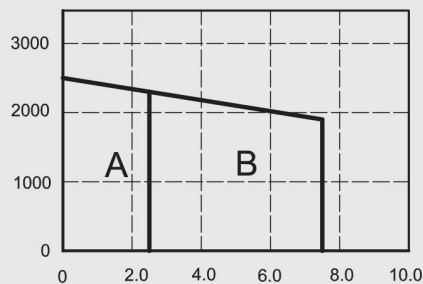


Motor Data

| 1 | motor model | | SA10048B | SA10072B | |
|----|-------------------------------|-------|--|----------|--------------------|
| 2 | nominal power | PR | 600 | 900 | W |
| 3 | nominal voltage | VT | 48 | 72 | V |
| 4 | nominal current | IR | 15 | 15 | A |
| 5 | instantaneous maximum current | IP | 45 | 45 | A |
| 6 | nominal speed | NR | 2300 | 3450 | rpm |
| 7 | maximum speed | NP | 2500 | 3750 | rpm |
| 8 | nominal torque | TR | 2.5 | 2.5 | Nm |
| 9 | peak torque | TP | 7.5 | 7.5 | Nm |
| 10 | torque constant | KT | 0.183 | 0.183 | Nm / A |
| 11 | back EMF constant | Ke | 52.1 | 52.1 | V / Krpm |
| 12 | rotor inertia | J | 35.4 | 35.4 | Kg*cm ² |
| 13 | terminal resistance | R | 0.24 | 0.24 | Ω |
| 14 | cogging and hysteresis torque | Tc Th | 0 | 0 | mNm |
| 15 | terminal inductance | L | 48.5 | 48.5 | μ H |
| 16 | mechanical time constant | Tm | 26 | 26 | ms |
| 17 | electric time constant | Te | 0.202 | 0.202 | ms |
| 18 | number of pole pairs | 2p | 4 | 4 | |
| 19 | weight of motor | W | 4.2 | 4.2 | Kg |
| 20 | encoder options | | incremental (2500PPR) \ Absolute (17\33 bit) | | |
| 21 | motor insulation class | | class B | | |
| 22 | protection class | | IP64 | | |
| 23 | ambient temperature | | -20~+40°C | | |

coreless motor | Servo

Graph



SA10048B

A: Continuous Working Area
B: Repeatedly Working Area